

INSTRUCTIONS AND WARNINGS FOR AUTOMATIC SYSTEM USERS

CONGRATULATIONS on choosing a Tau product for your automation system!

Tau S.r.l. produces components for automatic gates, doors, barriers and shutters. These include gear motors, control units, radio control devices, flashing lights, photocells and accessories.

Tau products are exclusively made with top quality materials and processes and, as a company, we constantly research and develop innovative solutions in order to make our equipment increasingly easier to use. We also pay great attention to all details (technology, appearance and ergonomics). The extensive Tau range makes it possible for your fitter to choose the product which best meets your requirements.

Tau, however, does not produce your automated system as this is the outcome of a process of analysis, evaluation, choice of materials and installation performed by your fitter.

Each automated system is unique, therefore, and only your fitter has the experience and professionalism required to create a system that is tailor-made to your requirements, featuring long-term safety and reliability, and, above all, professionally installed and compliant with current regulations.

An automated system is handy to have as well as being a valid security system. Just a few, simple operations are required to ensure it lasts for years.

Even if your automated system satisfies regulatory safety standards, this does not eliminate "residue risks", that is, the possibility of dangerous situations being generated, usually due to irresponsible and/or incorrect use. For this reason we would like to give you some suggestions on how to avoid these risks:

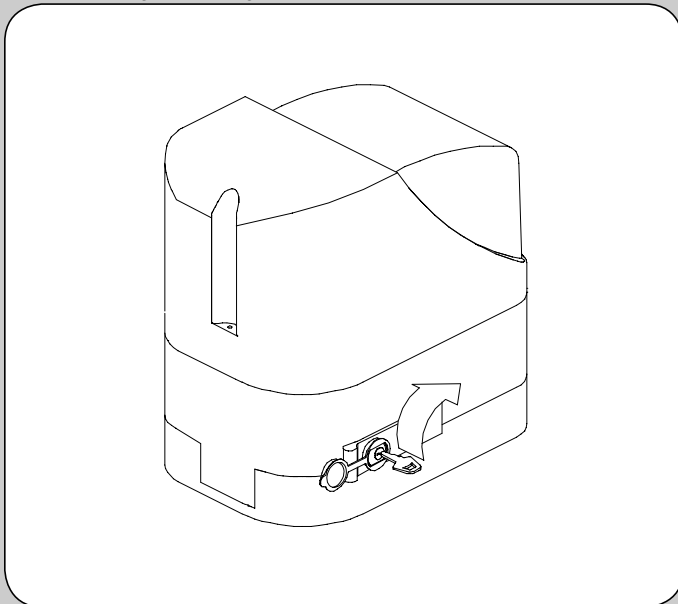
- **Before using the system for the first time:** ask your fitter to explain how residue risks can arise and read the instructions and warnings in the user handbook that your fitter will have given you. Keep this manual for future use and, if you should ever sell your automated system, hand it over to the new owner.
- **Your automated system carries out your commands to the letter:** irresponsible and/or incorrect use may cause it to become dangerous. Do not use the system if people, animals and/or objects enter its operating area.
- **IT IS NOT A TOY!** Make sure children do not play near the system and keep the remote control device out of their reach.
- **Faults:** If you notice any abnormal behaviour, disconnect the system from the power supply immediately and perform the manual release operation (see figure). Do not attempt to repair the door but call in your fitter: the system will operate manually as it did before installation.
- **Maintenance:** to ensure long life and totally safe operation, the system requires routine maintenance, just like any other piece of machinery. Establish maintenance times together with your fitter. Tau recommends a frequency of 6 months for normal domestic installations but this may vary depending on the intensity of use (always every 3000 work cycles).

N.B.: All controls, maintenance work and/or repairs may only be carried out by qualified personnel.

- Do not modify the plant or the relative programming and adjustment parameters: your fitter will see to that.

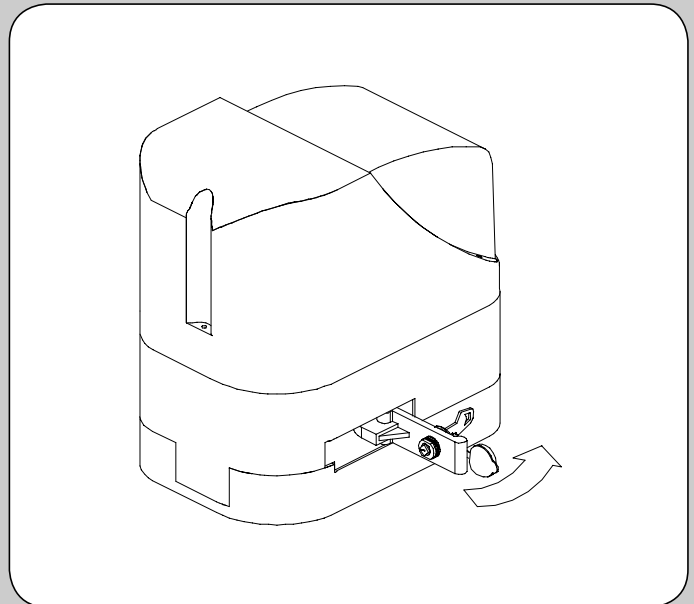
N.B. Final testing, routine maintenance and any repairs must be documented by the fitter (in the relative spaces) and such documents kept by the owner of the system (IF THE DOCUMENTS ARE NOT PRODUCED, THE WARRANTY WILL EXPIRE).

- **Disposal:** At the end of system life, make sure that it is demolished by qualified personnel and that the materials are recycled or disposed of according to local regulations.



In the event of a power failure, remove the cover of the lock, fit the relative key and turn it as shown in figure.

The manual manoeuvre must ONLY be done with the door stopped and AFTER disconnecting power from the electrical control unit.



Then, as shown in figure, lift the lever towards the outside to move the gate manually.

N.B.: if your remote control unit (if supplied) starts working badly after a time, or does not work at all, the batteries may be flat (they can last from several months to 2/3 years depending on what type is used). This can be seen from the fact that the transmission confirmation LED gets dimmer or only turns on for brief moments. Before contacting your fitter, try exchanging the battery with one from a good transmitter: if this is the reason for the fault, simply replace the battery with another one of the same type.

If you wish to add a new automated system to your house, contact your fitter and we at Tau to have the advice of a specialist, the most developed products on the market, best operation and maximum automation compatibility.

Thank you for reading these suggestions and we trust you are fully satisfied with your new system: please contact your fitter for any further requirements.